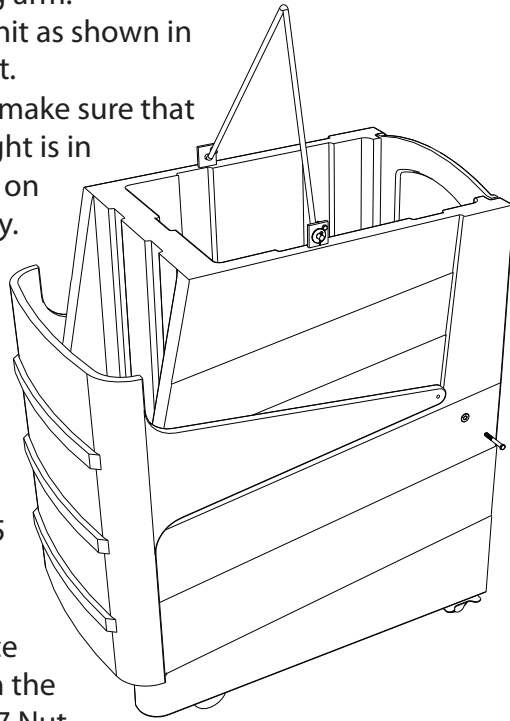


### Optional Roof Installation Instructions

1. Replace the PL01-0007G short lifting arm with the longer PL01-0008G long lifting arm.
2. Place the roof on the unit as shown in the diagram at the right.
3. Starting with one side, make sure that the tip of the roof upright is in the corner of the ledge on side of the PolyLift body.  
Using a drill with a 7/16 drill bit, drill a hole through the molded in hole in the roof and all the way the side of the unit.
4. Place a PC-000126 Washer on a PC-000125 Bolt and push this through the roof and through the body. Place a PC-000126 Washer on the inside with a PC-000127 Nut and tighten.



To put the roof up, make sure the lifting arm is in the down position. Swing the roof into position, and lock in place using the lifting arm. Be sure that the top of the arm is tight against the stop on the underside of the roof.

### MISSION STATEMENT

"PolyJohn is a family owned, state of the art, plastics manufacturing company dedicated to providing its employees with a work environment committed to excellence, and its customers with innovative products, services and technology that meet or exceed their requirements."

### THANK YOU FOR PURCHASING POLYJOHN PRODUCTS!

Look for us on the Web @ [www.PolyJohn.com](http://www.PolyJohn.com)



## POLYLIFT™ Highrise Portable Restroom Technical Information

### General Overview

*The PL01-1000 PolyLift Highrise Portable Restroom is designed for Highrise Construction Sites. Easily mobile on caster wheels, simply hooks up to a crane for highrise portability. An added feature of a urinal is conveniently located on the outside rear of the restroom. An optional roof is also available. Shipped fully assembled.*



### Specifications

|                                |        |         |
|--------------------------------|--------|---------|
| Height w/Roof                  | 91 in  | 231 cm  |
| Height w/o Roof                | 69 in  | 175 cm  |
| Length w/Roof in Down Position | 61 in  | 155 cm  |
| Length w/o Roof                | 53 in  | 135 cm  |
| Width w/Roof in Down Position  | 35 in  | 89 cm   |
| Width w/o Roof                 | 33 in  | 84 cm   |
| Weight w/Roof                  | 287 lb | 129 kg  |
| Weight w/o Roof                | 251 lb | 113 kg  |
| Holding Tank Capacity          | 38 gal | 144 ltr |

#### POLYJOHN USA

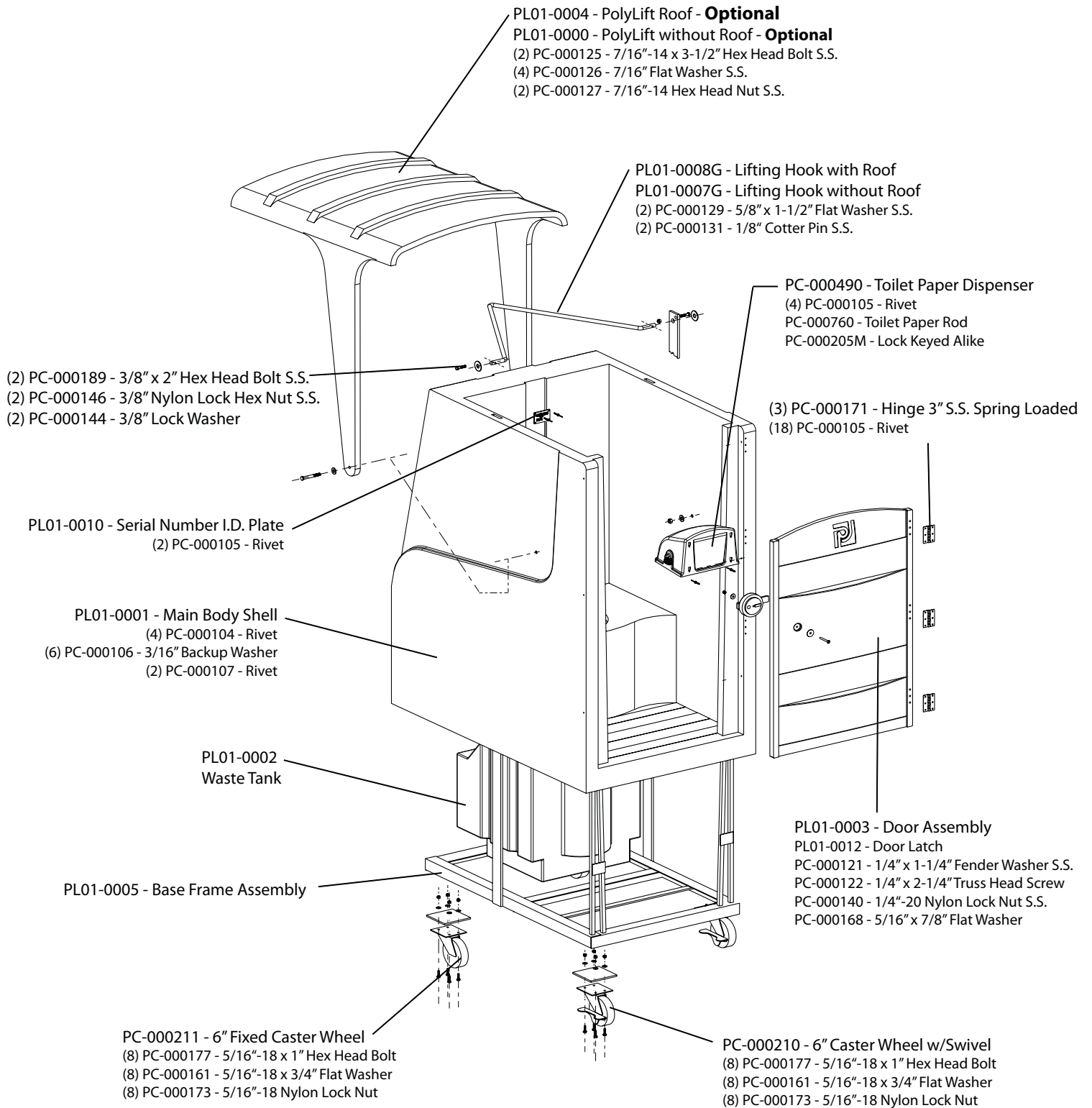
PolyJohn Enterprises Corp  
2500 Gaspar Ave.  
Whiting, IN 46394  
Phone: 800-292-1305  
Fax: 219-659-0625  
[www.polyjohn.com](http://www.polyjohn.com)  
[info@polyjohn.com](mailto:info@polyjohn.com)

#### POLYJOHN WORLDWIDE

PolyJohn (UK) Ltd.  
Equinox 1 Audby Lane  
Wetherby, England LS22 7RD  
Phone: 44 (0) 1937-583333  
Fax: 44 (0) 1937-583322  
[www.polyjohn.co.uk](http://www.polyjohn.co.uk)  
[sales@polyjohn.co.uk](mailto:sales@polyjohn.co.uk)

#### POLYJOHN CANADA

PolyJohn Canada  
P.O. Box 2300  
199 Forest Plain Rd.  
Orillia, Ontario LV3 6S2  
Phone: 800-465-9590  
Fax: 705-325-8250  
[www.polyjohncanada.ca](http://www.polyjohncanada.ca)  
[info@polyjohncanada.ca](mailto:info@polyjohncanada.ca)



**\*\*NOT SHOWN**

- PC-000204 - Toilet Seat
- PC-100784 - Weight Load Limit Plate
- (1) PC-000108 - Rivet
- (1) PC-000106 - 3/16" Backup Washer